

Model Number

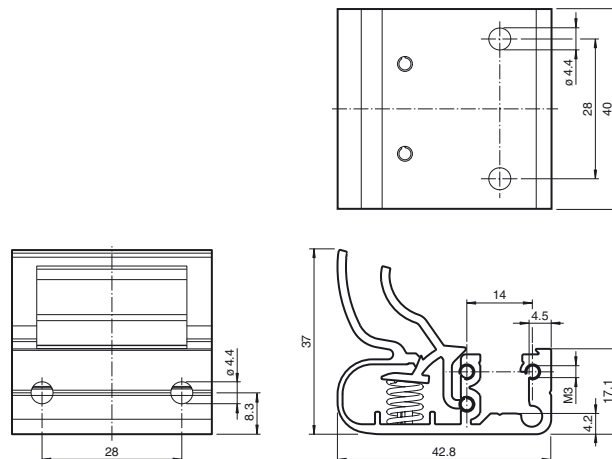
OMH-SLCT-01

Quick clamp and adjustment system

Features

- Mounting bracket
- Simple and fast mounting

Dimensions



Technical data

Mechanical specifications

Material	Aluminum
Mass	approx. 36 g

General information

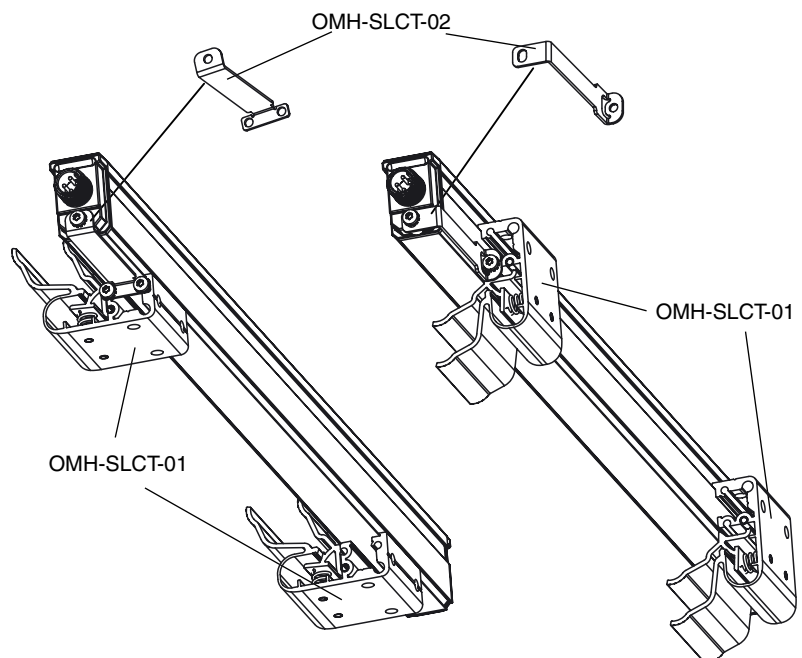
Scope of delivery	Mounting bracket ; 1 Slotted plate ; 4 T-slides ; Screw kit
-------------------	---

Suitable series

Safety Series	SLCT SLCS
---------------	--------------

Mounting note

Rear view and lateral mounting.



Slotted plate mounting aid

Each package comes with a slotted plate.
To prevent the t-slides from clipping into the upper hole, cover the hole with the slotted plate.

Then slide the t-slides into the guide.

